

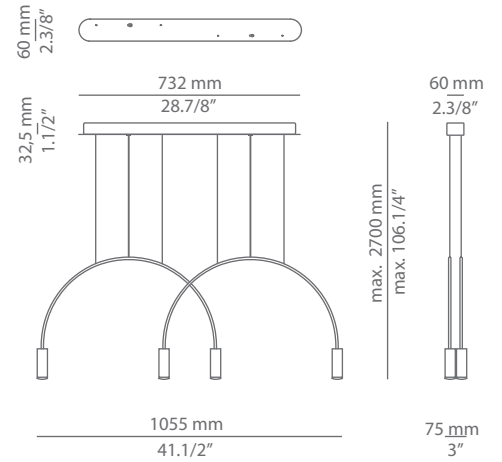
# VOLTA T-3535S / T-3536S

linear surface compositions

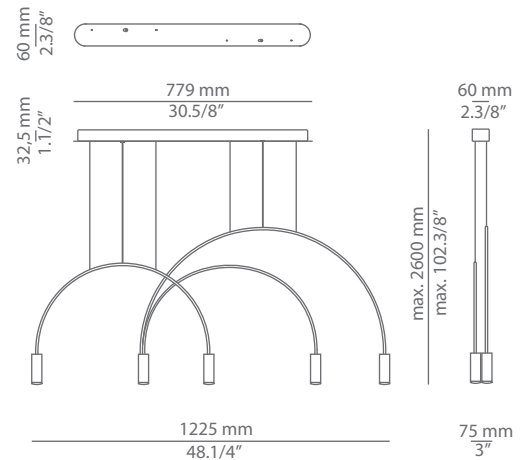
Date	Type
Project	
Location	
Model #	Quantity
Specifier	

## Many possible configurations with T-3535S and T-3536S

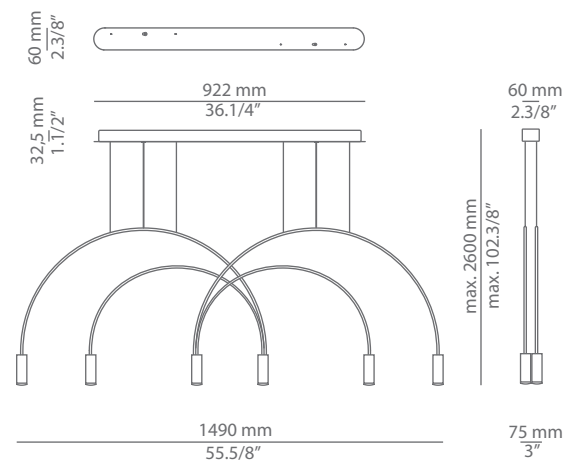
Code	Composition includes	Temperature
L73S.2D	<ul style="list-style-type: none"> <li>1 linear canopy 113535XX1</li> <li>2 units of T-3535C</li> <li>2 drivers / Dimmable Triac</li> </ul>	<ul style="list-style-type: none"> <li>T-3535C-W (2700K / 725 lumens)</li> <li>T-3535C-M (3000K / 763 lumens)</li> </ul>
Canopy		Head
<ul style="list-style-type: none"> <li>26 BLK Black</li> <li>71 WH White</li> </ul>	Body	<ul style="list-style-type: none"> <li>26 BLK Black</li> <li>61 S GLD Satin Gold</li> <li>71 WH White</li> <li>CUSTOM</li> </ul>
	Body	Head
	<ul style="list-style-type: none"> <li>26 BLK Black</li> <li>71 WH White</li> <li>CUSTOM</li> </ul>	<ul style="list-style-type: none"> <li>26 BLK Black</li> <li>61 S GLD Satin Gold</li> <li>71 WH White</li> <li>CUSTOM</li> </ul>



Code	Composition includes	Temperature
L78S.1D1T	<ul style="list-style-type: none"> <li>1 linear canopy 113535XX2</li> <li>1 unit of T-3535C</li> <li>1 unit of T-3536C</li> <li>2 drivers / Dimmable Triac</li> </ul>	<ul style="list-style-type: none"> <li>T-3535C-W / T-3536C-W (2700K / 725 lumens)</li> <li>T-3535C-M / T-3536C-M (3000K / 763 lumens)</li> </ul>
Canopy		Head
<ul style="list-style-type: none"> <li>26 BLK Black</li> <li>71 WH White</li> </ul>	Body	<ul style="list-style-type: none"> <li>26 BLK Black</li> <li>61 S GLD Satin Gold</li> <li>71 WH White</li> <li>CUSTOM</li> </ul>
	Body	Head
	<ul style="list-style-type: none"> <li>26 BLK Black</li> <li>71 WH White</li> <li>CUSTOM</li> </ul>	<ul style="list-style-type: none"> <li>26 BLK Black</li> <li>61 S GLD Satin Gold</li> <li>71 WH White</li> <li>CUSTOM</li> </ul>



Code	Composition includes	Temperature
L92S.2T	<ul style="list-style-type: none"> <li>1 linear canopy 113535XX3</li> <li>2 units of T-3536C</li> <li>2 drivers / Dimmable Triac</li> </ul>	<ul style="list-style-type: none"> <li>T-3536C-W (2700K / 725 lumens)</li> <li>T-3536C-M (3000K / 763 lumens)</li> </ul>
Canopy		Head
<ul style="list-style-type: none"> <li>26 BLK Black</li> <li>71 WH White</li> </ul>	Body	<ul style="list-style-type: none"> <li>26 BLK Black</li> <li>61 S GLD Satin Gold</li> <li>71 WH White</li> <li>CUSTOM</li> </ul>
	Body	Head
	<ul style="list-style-type: none"> <li>26 BLK Black</li> <li>71 WH White</li> <li>CUSTOM</li> </ul>	<ul style="list-style-type: none"> <li>26 BLK Black</li> <li>61 S GLD Satin Gold</li> <li>71 WH White</li> <li>CUSTOM</li> </ul>




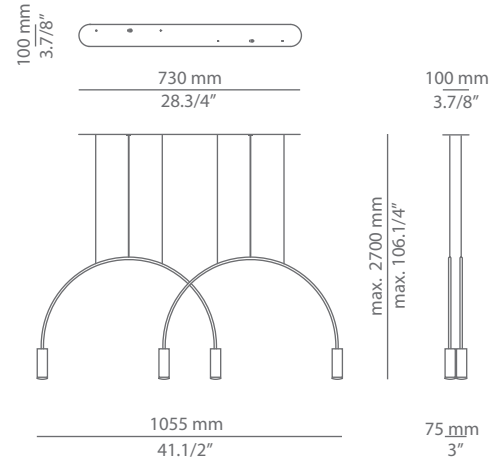
# VOLTA T-3535R / T-3536R


## linear recessed compositions

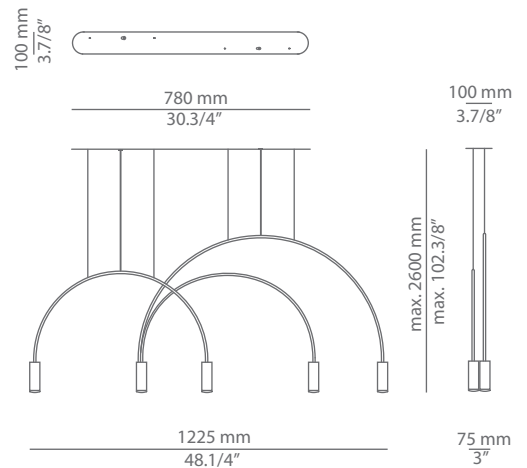
Date	Type
Project	
Location	
Model #	Quantity
Specifier	


### Many possible configurations with T-3535R and T-3536R

<b>Code</b>	<b>Composition includes</b>	<b>Temperature</b>
L73R.2D	<ul style="list-style-type: none"> <li>1 linear recessed canopy 113535XX1R</li> <li>2 units of T-3535C</li> <li>2 drivers / Dimmable Triac</li> </ul>	<ul style="list-style-type: none"> <li>T-3535C-W (2700K / 725 lumens)</li> <li>T-3535C-M (3000K / 763 lumens)</li> </ul>
 Ø 50mm drill on dropped ceiling	<b>Canopy</b> <ul style="list-style-type: none"> <li>26 BLK Black</li> <li>71 WH White</li> </ul>	<b>Body</b> <ul style="list-style-type: none"> <li>26 BLK Black</li> <li>71 WH White</li> <li>CUSTOM</li> </ul>
	<b>Head</b> <ul style="list-style-type: none"> <li>26 BLK Black</li> <li>61 S GLD Satin Gold</li> <li>71 WH White</li> <li>CUSTOM</li> </ul>	



<b>Code</b>	<b>Composition includes</b>	<b>Temperature</b>
L78R.1D1T	<ul style="list-style-type: none"> <li>1 linear recessed canopy 113535XX2R</li> <li>1 unit of T-3535C</li> <li>1 unit of T-3536C</li> <li>2 drivers / Dimmable Triac</li> </ul>	<ul style="list-style-type: none"> <li>T-3535C-W / T-3536C-W (2700K / 725 lumens)</li> <li>T-3535C-M / T-3536C-M (3000K / 763 lumens)</li> </ul>
 Ø 50mm drill on dropped ceiling	<b>Canopy</b> <ul style="list-style-type: none"> <li>26 BLK Black</li> <li>71 WH White</li> </ul>	<b>Body</b> <ul style="list-style-type: none"> <li>26 BLK Black</li> <li>71 WH White</li> <li>CUSTOM</li> </ul>
	<b>Head</b> <ul style="list-style-type: none"> <li>26 BLK Black</li> <li>61 S GLD Satin Gold</li> <li>71 WH White</li> <li>CUSTOM</li> </ul>	



<b>Code</b>	<b>Composition includes</b>	<b>Temperature</b>
L92R.2T	<ul style="list-style-type: none"> <li>1 linear recessed canopy 113535XX3R</li> <li>2 units of T-3536C</li> <li>2 drivers / Dimmable Triac</li> </ul>	<ul style="list-style-type: none"> <li>T-3536C-W (2700K / 725 lumens)</li> <li>T-3536C-M (3000K / 763 lumens)</li> </ul>
 Ø 50mm drill on dropped ceiling	<b>Canopy</b> <ul style="list-style-type: none"> <li>26 BLK Black</li> <li>71 WH White</li> </ul>	<b>Body</b> <ul style="list-style-type: none"> <li>26 BLK Black</li> <li>71 WH White</li> <li>CUSTOM</li> </ul>
	<b>Head</b> <ul style="list-style-type: none"> <li>26 BLK Black</li> <li>61 S GLD Satin Gold</li> <li>71 WH White</li> <li>CUSTOM</li> </ul>	

